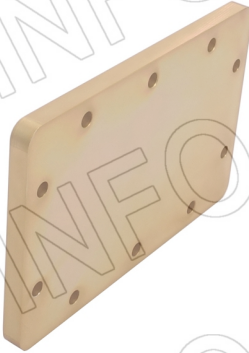


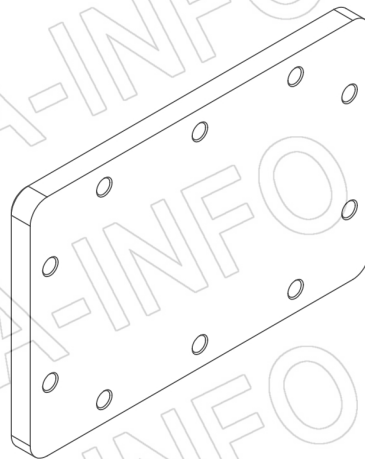
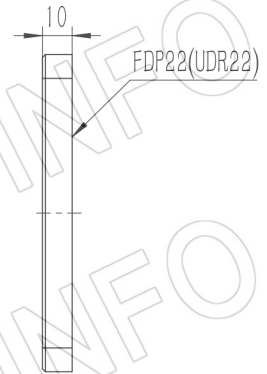
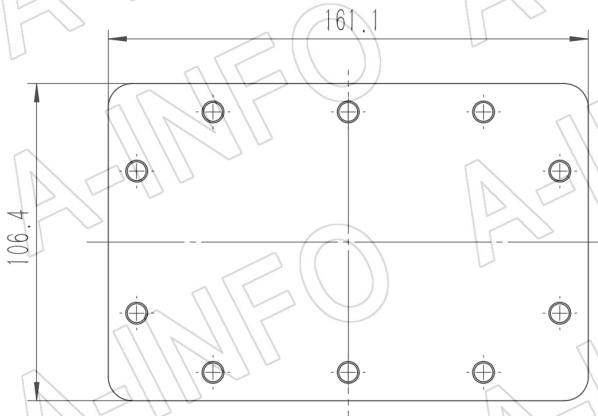
For reference only. See data sheet for the detailed specifications.

## Technical Specification

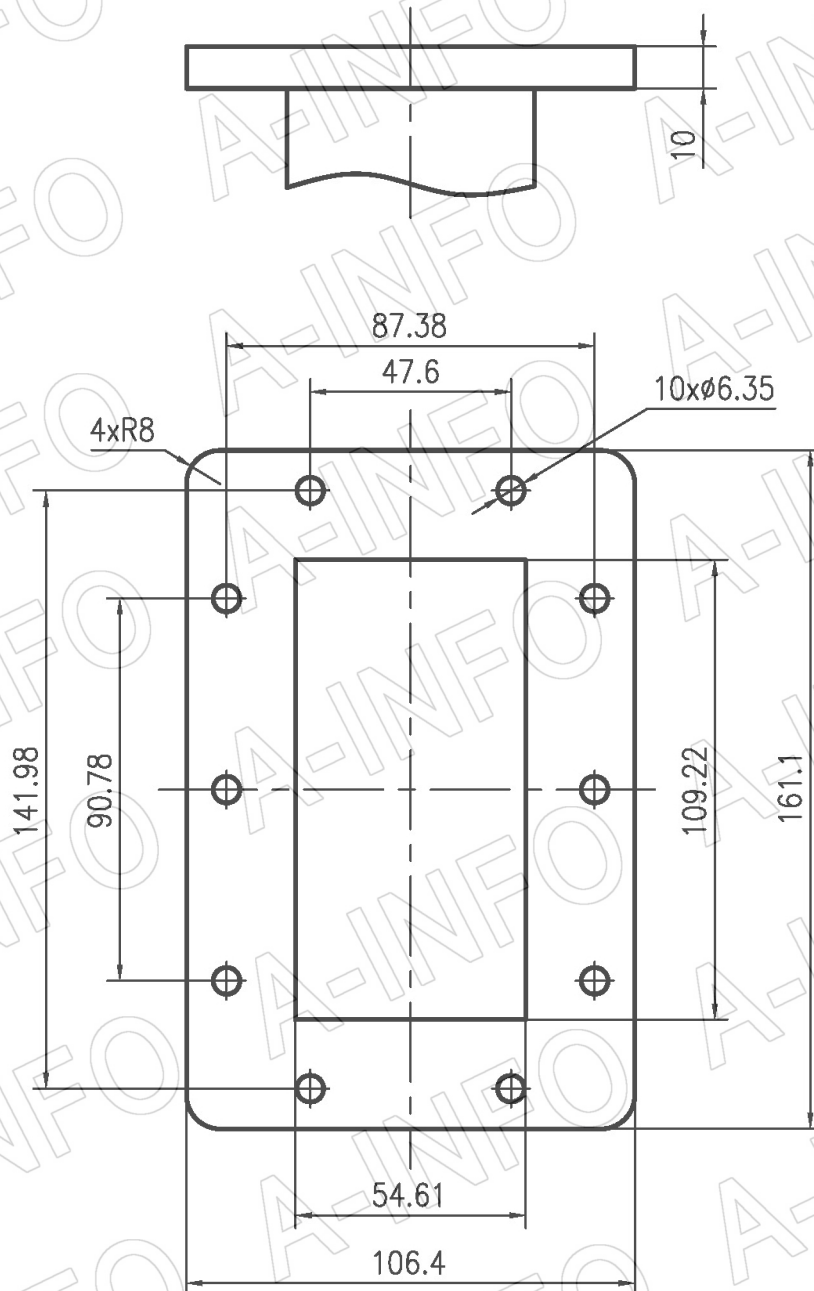


EIA WR	WR430
Freq. Range(GHz)	1.70 – 2.60
Thickness(mm)	10
Flange	FDP22(UDR22)
Material	Al
Finish	Chemical Conversion Coating
Size(mm)	161.1 x 10 x 106.4
Net Weight(Kg)	0.50 Around

## Outline Drawing (Size: mm)



## Flange Drawing (Size: mm)



# FDP22